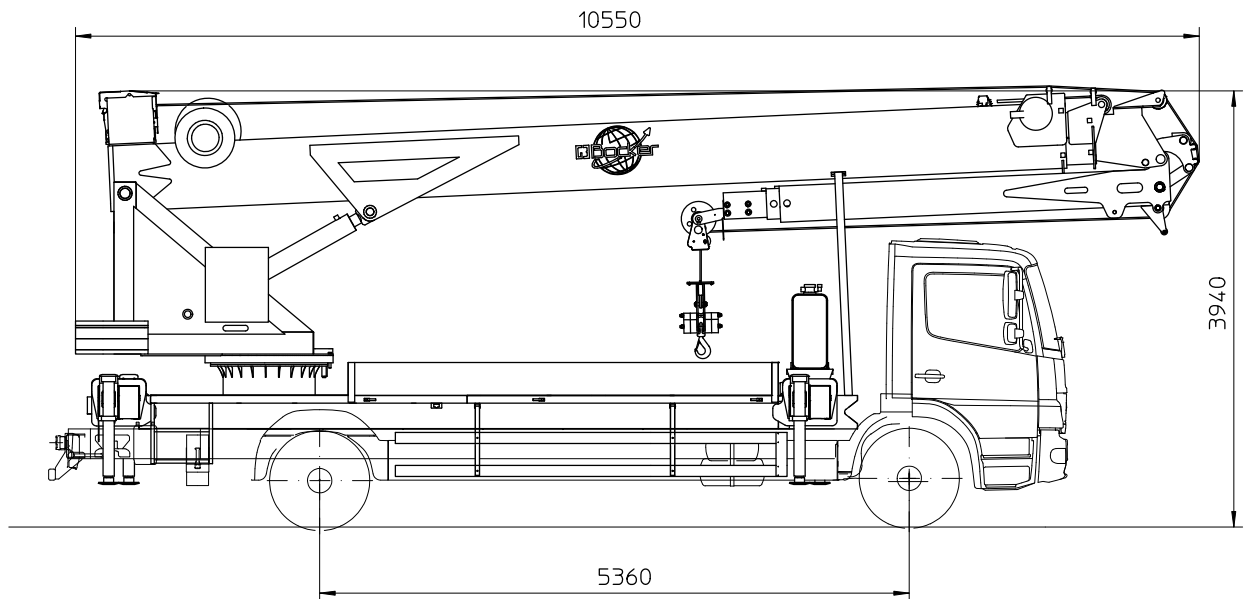


Böcker Truck Crane AK 37/4000 PLC on a 13,5t truck

07/2010

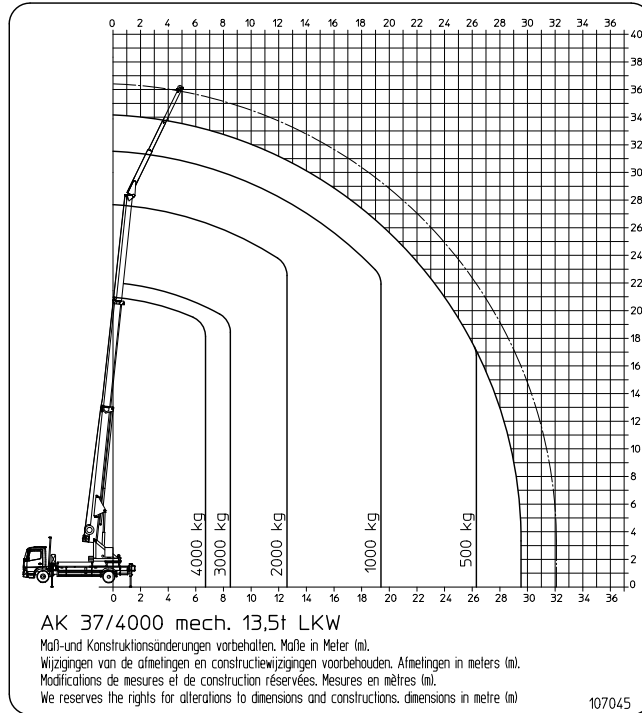


Dimensions / Specifications

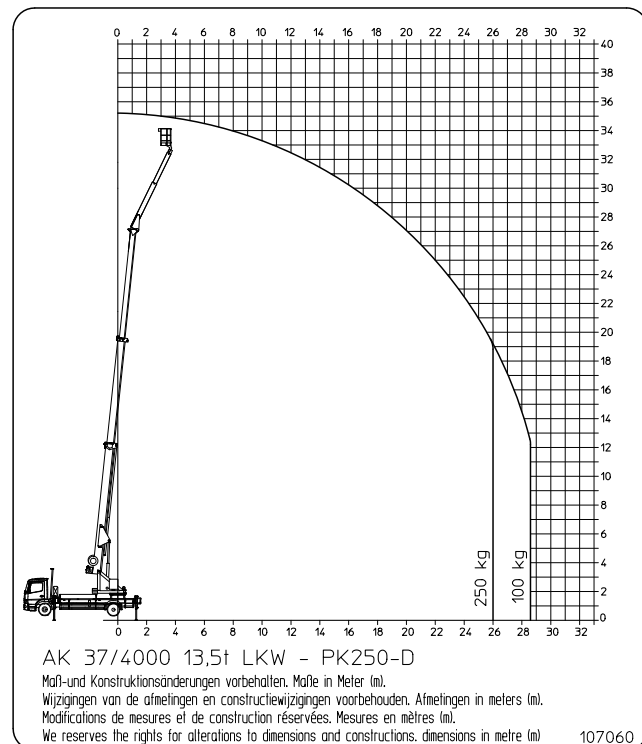
Telescope arm angle	approx. 87 degrees	<i>Max. Range of crane operation with 15,5 t truck</i>	
Jib angle	approx. 165 degrees		
Swivel area	approx. 620 degrees	500 kg Lifting capacity	approx. 26.30 m
Working height up to jib	approx. 28.00 m	1000 kg Lifting capacity	approx. 19.50 m
Max. extension length including mech. extension (2.0 m)	approx. 37.00 m	2000 kg Lifting capacity	approx. 12.60 m
Max. extension length	approx. 35.00 m	4000 kg Lifting capacity	approx. 7.00 m
Extendible Jib			
Basic length	approx. 4.55 m		
Max. extendible length	approx. 8.90 m	<i>Max. Range of platform operation</i>	
Current of hydraulic pump	approx. 100 litres	PK 250-D	
Hook speed	approx. 60 m/min	100 kg Lifting capacity	approx. 28.60 m
Support length	approx. 6.05 m	250 kg Lifting capacity	approx. 26.00 m
Support width	approx. 5.74 m	Max. working height approx. 35.00 m	
One-sided support	approx. 4.15 m		
Length vehicle	approx. 10.55 m	<i>Truck Data</i>	
Width vehicle	approx. 2.55 m	Min. wheelbase	5360 mm
Height vehicle DB / MAN	approx. 3.94 / 3.99 m	Gross vehicle weight	13.5 t
Body weight	approx. 8700 kg	Max. dead weight	4.7 t

All rights reserved for changes in dimension and construction!

Work diagram



PK 250-D



All rights reserved for changes in dimension and construction!